



System Detail

Magnum[®] Board Substrate

Master Wall Mesh and Base Coat

Superior Finish

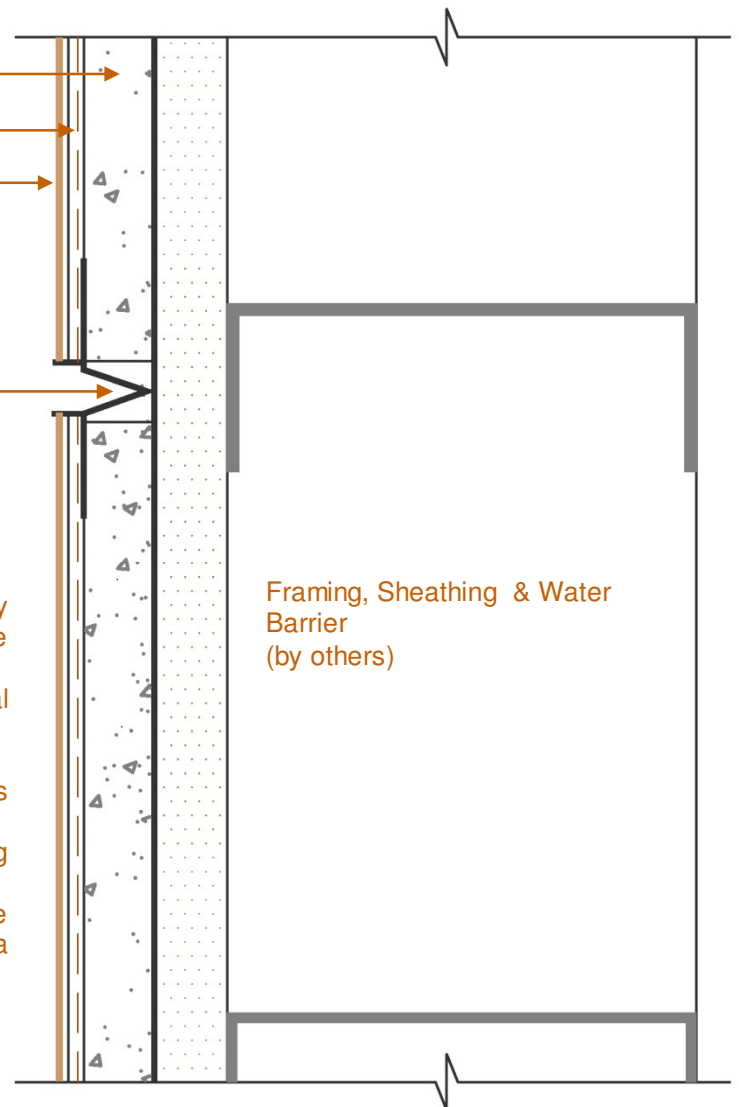
Plastic Control Joint Accessory, Plastic Components 22027-16 or equal. See notes for placement recommendations

Notes:

Control joints are required and should be located by the designer at the following locations on the construction documents:

- Maximum length shall not exceed 20 lineal feet in any direction
- 160 sf is the maximum overall area
- One dimension shall not exceed 2-1/2 times the other dimension
- At all dissimilar substrate/sheathing transitions

Double studs may be required to accommodate control joints or where it is needed to provide a fastening base for sheathing board joints.

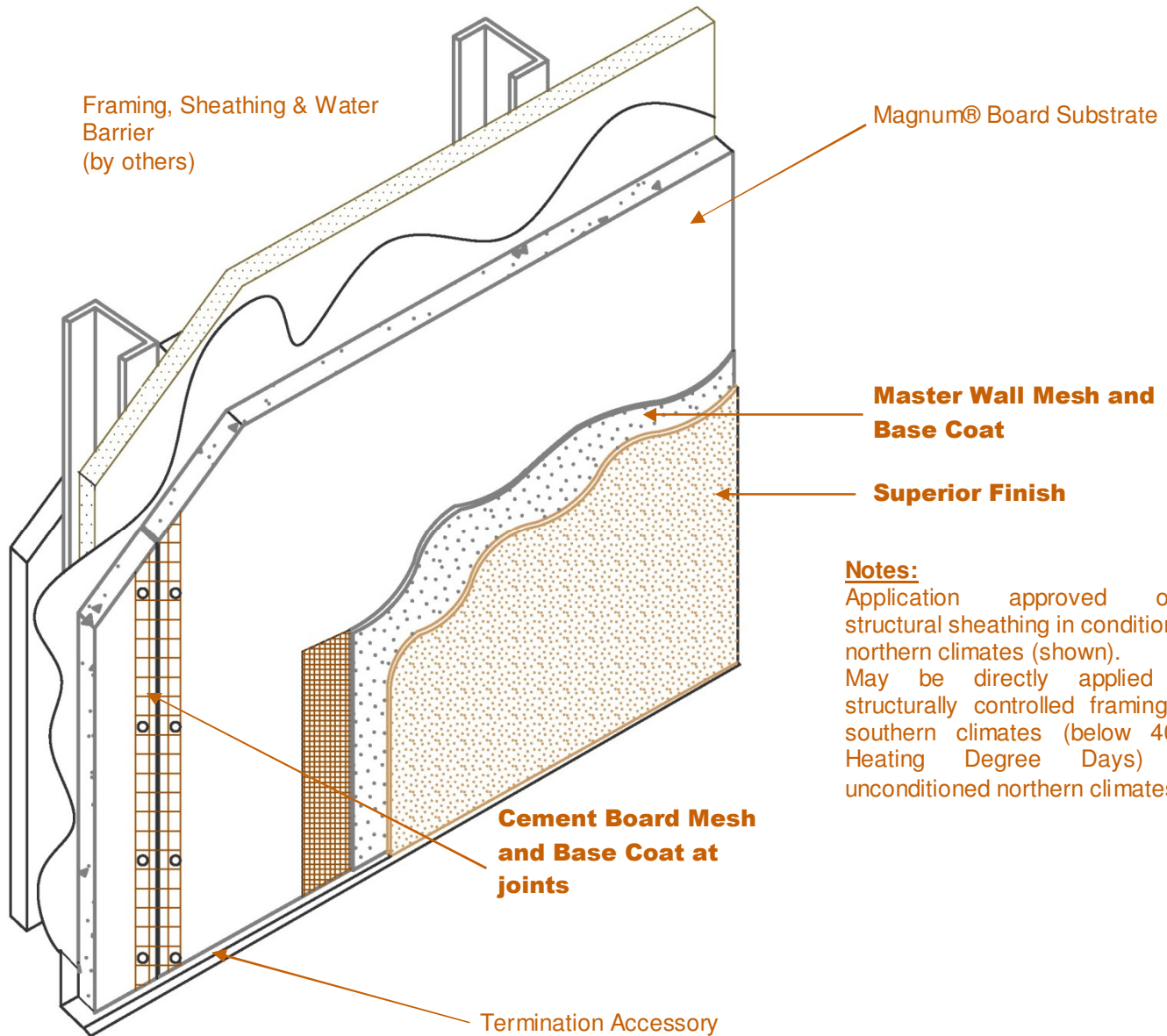


MG-01 Cross-Section

These drawings relay the conceptual conditions of Master Wall[®] Systems and are not the construction drawings. Ultimately the design and detailing of an entire wall system is the responsibility of a professional. These details will guide the design professional in the use of Master Wall[®] Products. Master Wall disclaims design, warranty or construction intent or responsibility. **Bold = Master Wall[®] Product.**



System Detail



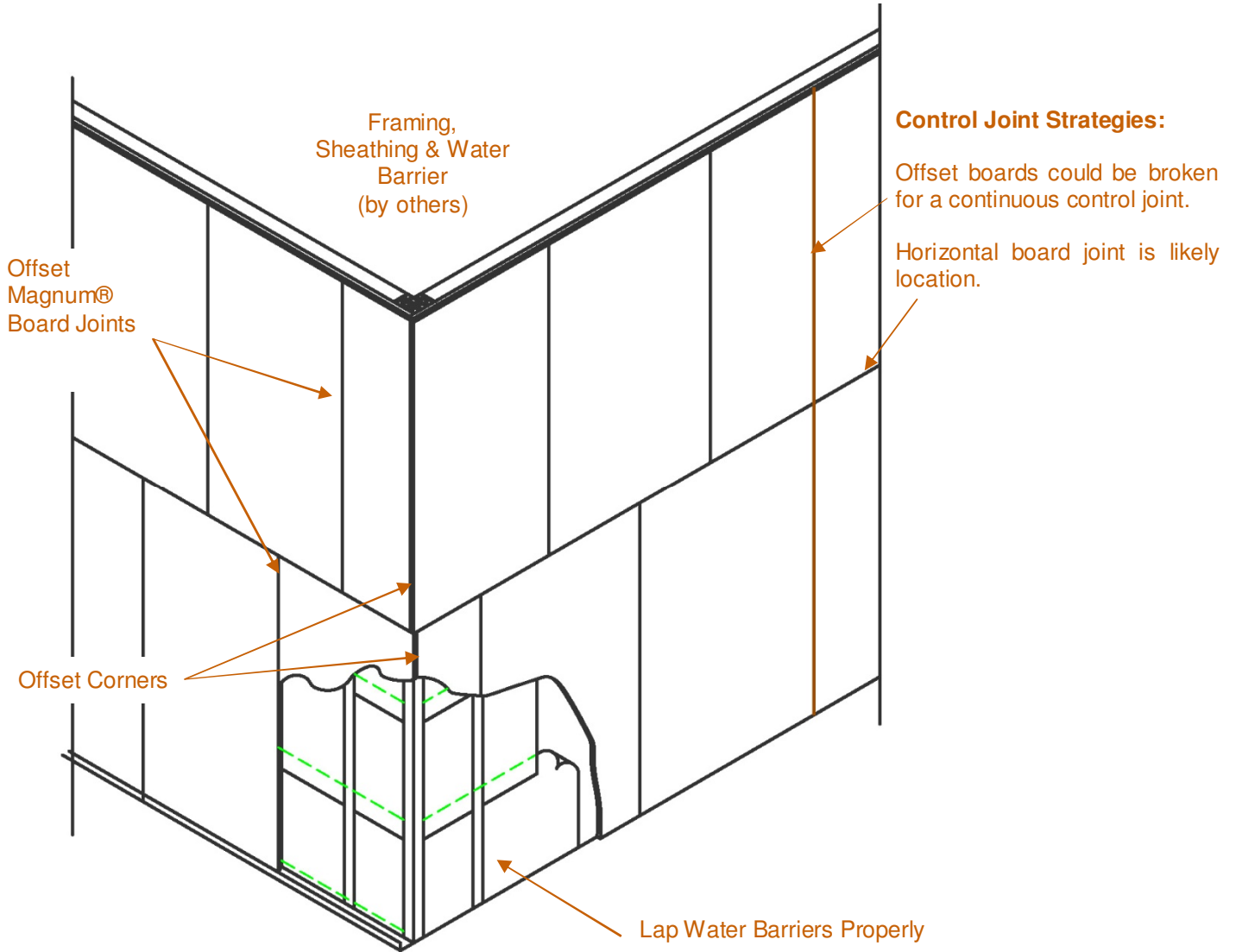
Notes:
Application approved over structural sheathing in conditioned northern climates (shown). May be directly applied to structurally controlled framing in southern climates (below 4000 Heating Degree Days) or unconditioned northern climates.

MG-02 Cross-Section Isometric

These drawings relay the conceptual conditions of Master Wall[®] Systems and are not the construction drawings. Ultimately the design and detailing of an entire wall system is the responsibility of a professional. These details will guide the design professional in the use of Master Wall[®] Products. Master Wall disclaims design, warranty or construction intent or responsibility. **Bold = Master Wall[®] Product.**



System Detail



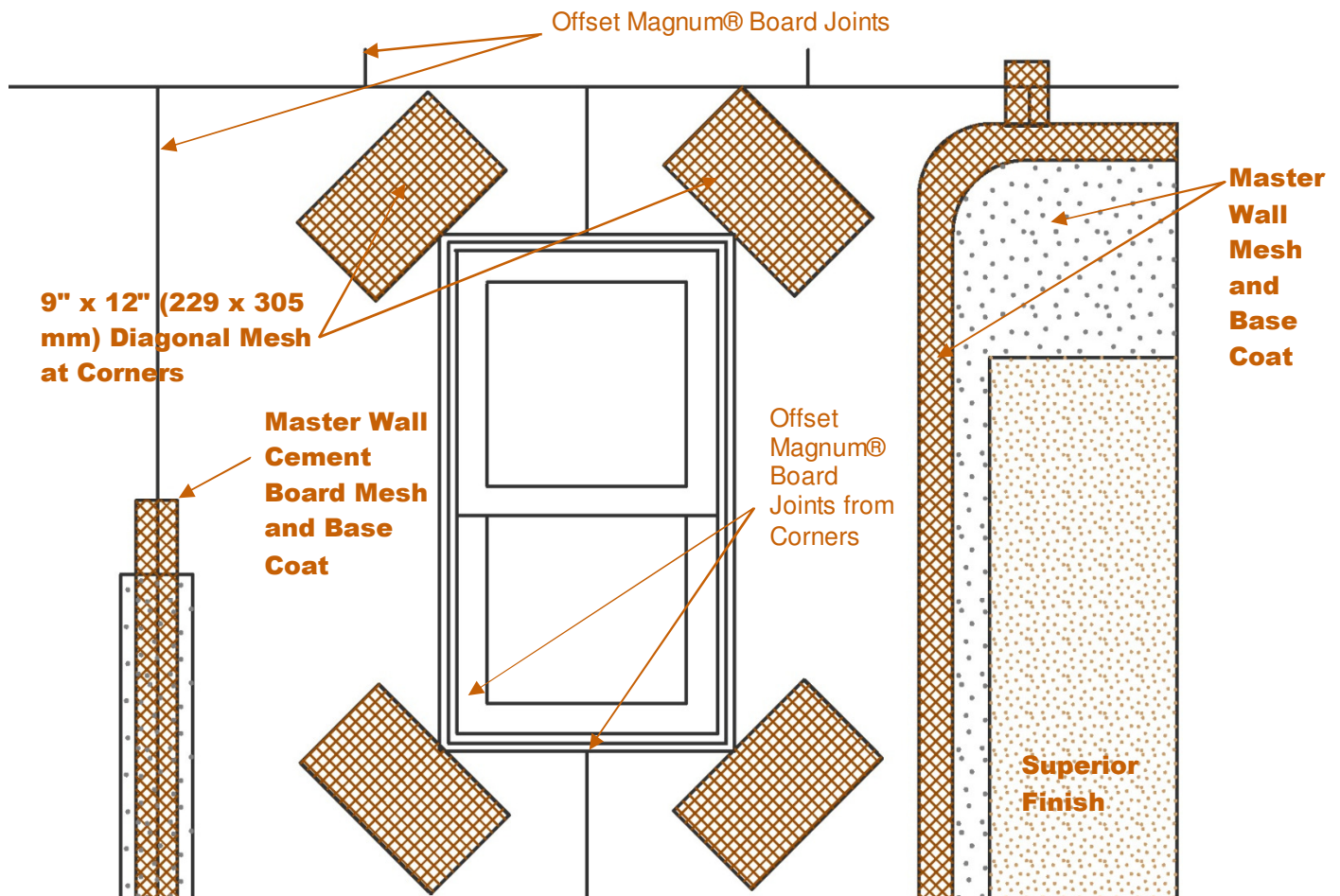
MG-03 Magnum[®] Board Layout

These drawings relay the conceptual conditions of Master Wall[®] Systems and are not the construction drawings. Ultimately the design and detailing of an entire wall system is the responsibility of a professional. These details will guide the design professional in the use of Master Wall[®] Products. Master Wall disclaims design, warranty or construction intent or responsibility. **Bold = Master Wall[®] Product.**

©2018 Master Wall Inc.[®]



System Detail



Notes:

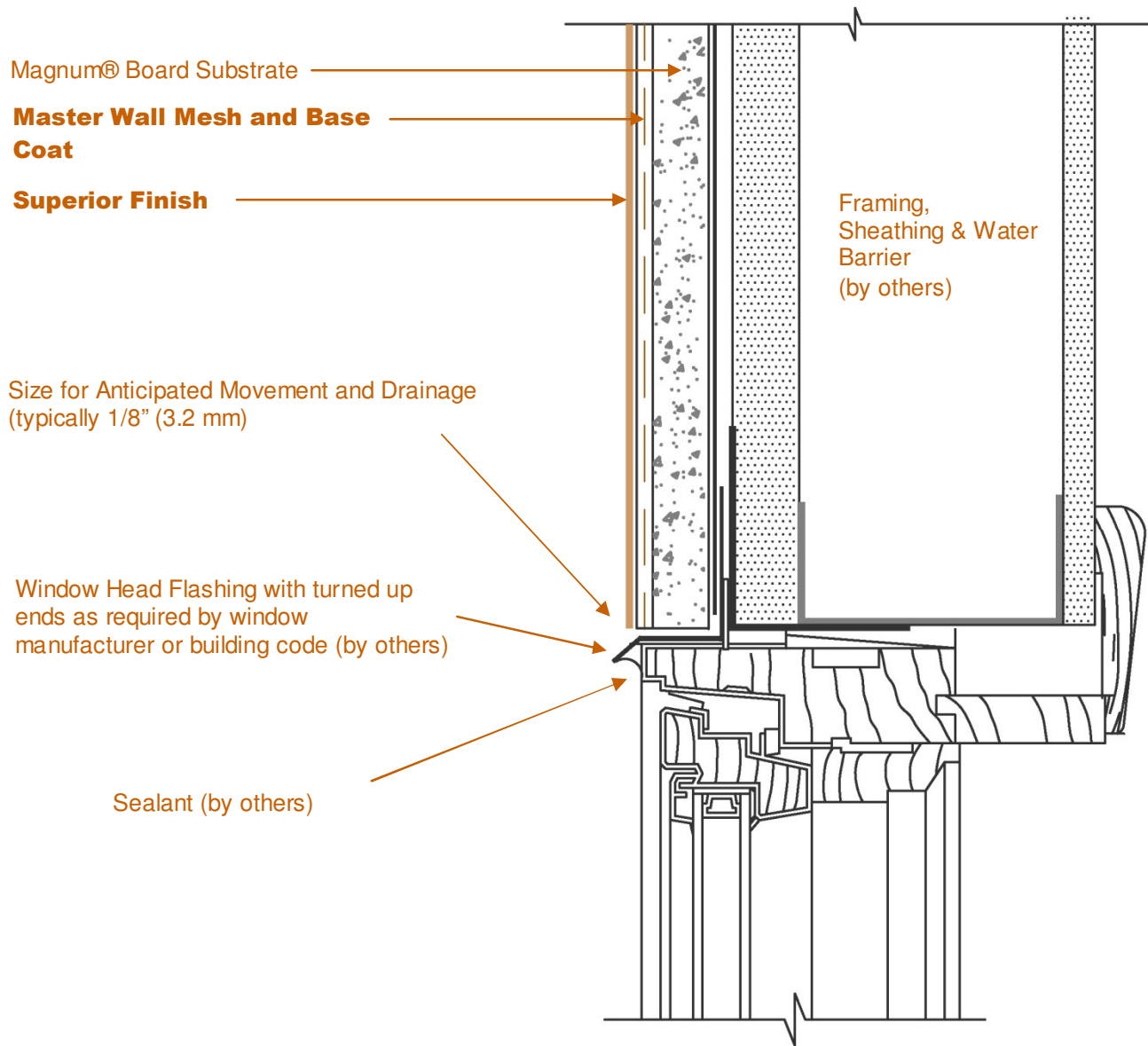
- Typical detailing for windows, doors and other openings
- Designer to size sealant joint for anticipated movement, minimum 3/8" (9.5 mm) sealant joint by sealant contractor
- Flashing may be required by others

MG-04 Typical Reinforcing Mesh Application

These drawings relay the conceptual conditions of Master Wall[®] Systems and are not the construction drawings. Ultimately the design and detailing of an entire wall system is the responsibility of a professional. These details will guide the design professional in the use of Master Wall[®] Products. Master Wall disclaims design, warranty or construction intent or responsibility. **Bold = Master Wall[®] Product.**



System Detail

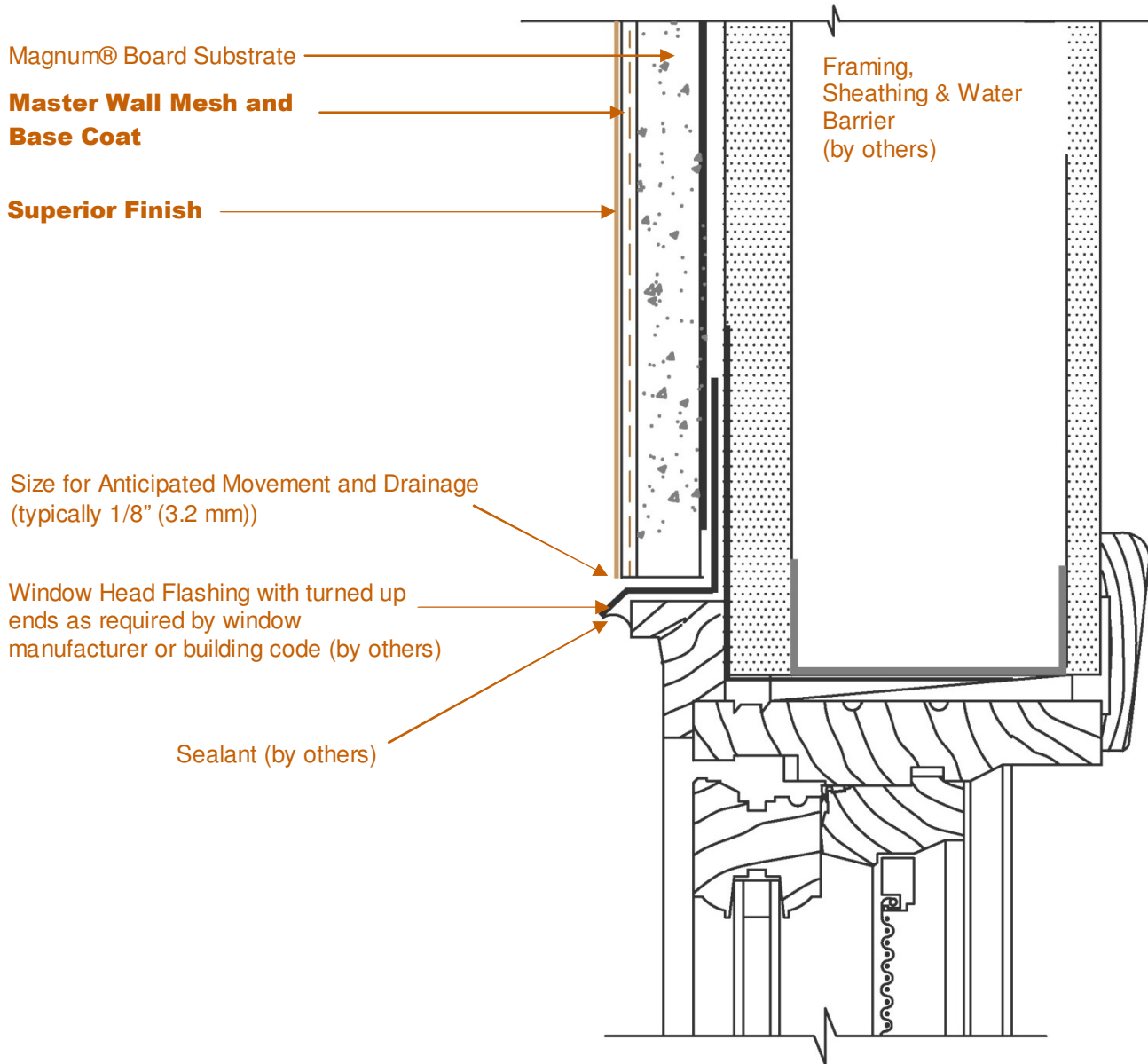


MG-05 Clad Window Head

These drawings relay the conceptual conditions of Master Wall[®] Systems and are not the construction drawings. Ultimately the design and detailing of an entire wall system is the responsibility of a professional. These details will guide the design professional in the use of Master Wall[®] Products. Master Wall disclaims design, warranty or construction intent or responsibility. **Bold = Master Wall[®] Product.**



System Detail

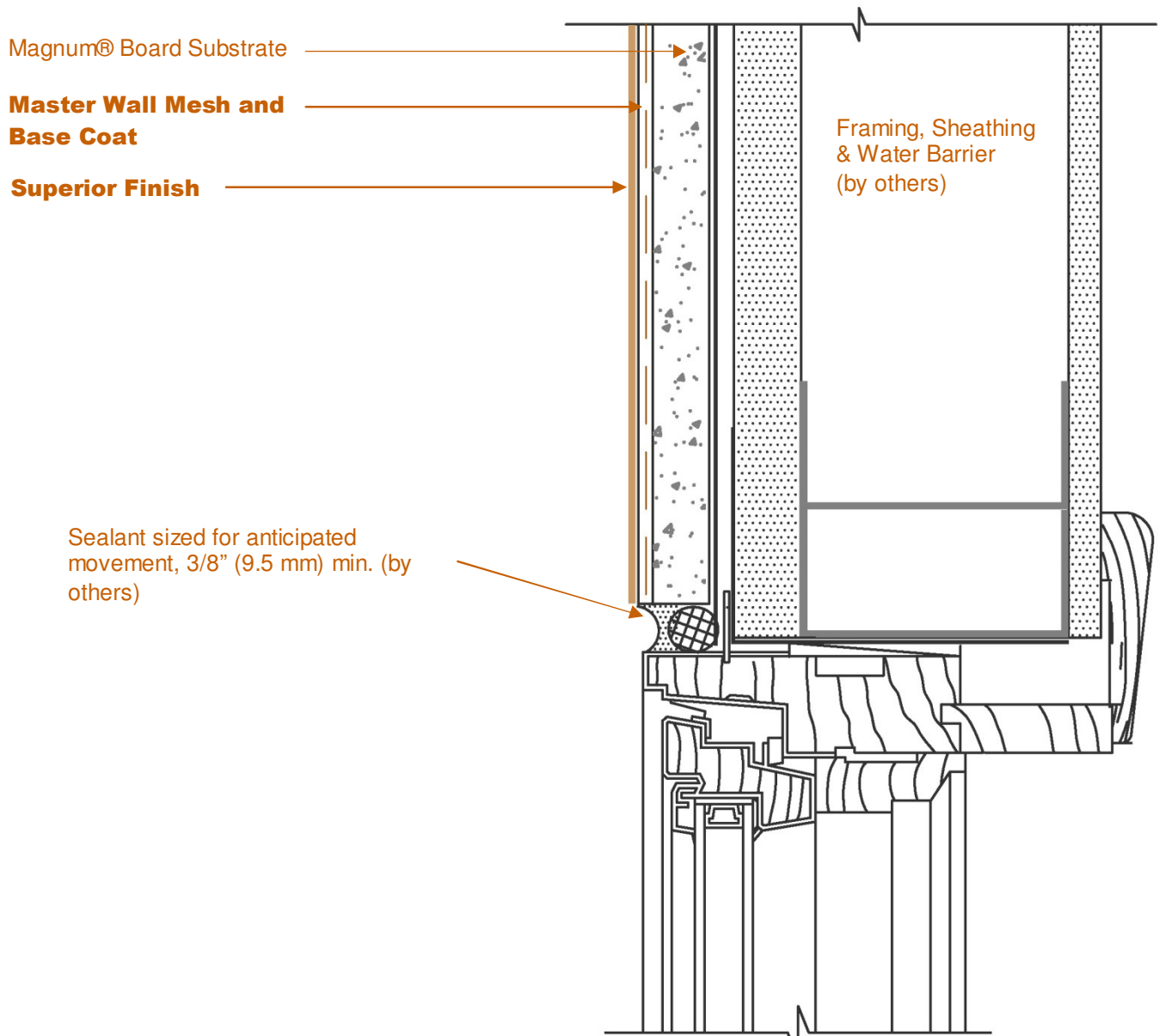


MG-06 Typical Wood Window Head Detail

These drawings relay the conceptual conditions of Master Wall[®] Systems and are not the construction drawings. Ultimately the design and detailing of an entire wall system is the responsibility of a professional. These details will guide the design professional in the use of Master Wall[®] Products. Master Wall disclaims design, warranty or construction intent or responsibility. **Bold = Master Wall[®] Product.**



System Detail



MG-07 Typical Jamb Detail

These drawings relay the conceptual conditions of Master Wall[®] Systems and are not the construction drawings. Ultimately the design and detailing of an entire wall system is the responsibility of a professional. These details will guide the design professional in the use of Master Wall[®] Products. Master Wall disclaims design, warranty or construction intent or responsibility. **Bold = Master Wall[®] Product.**

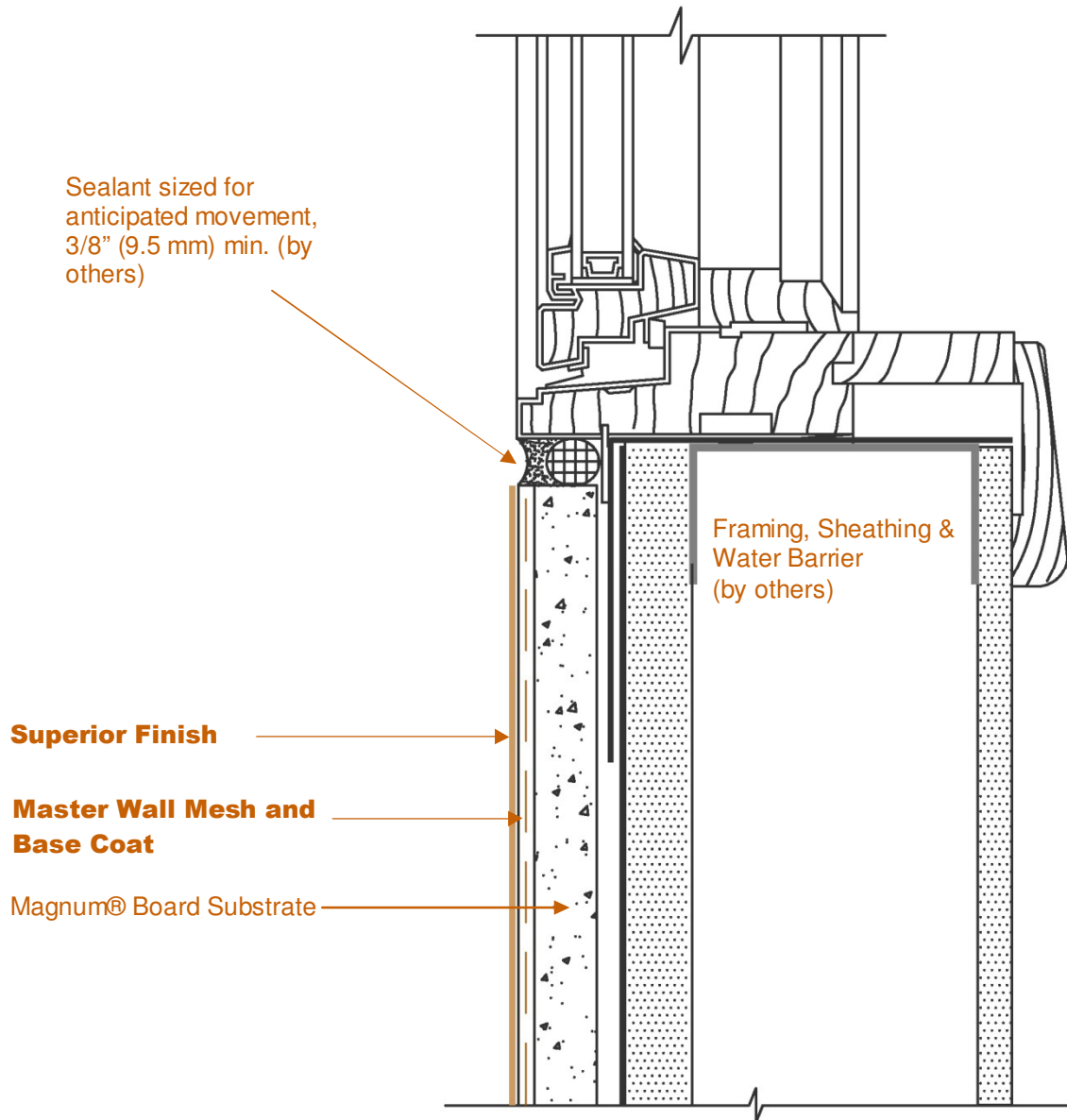


Master Wall Inc.[®]
Building a Culture of Excellence



We finish strong.

System Detail



MG-08 Typical Sill Detail

These drawings relay the conceptual conditions of Master Wall[®] Systems and are not the construction drawings. Ultimately the design and detailing of an entire wall system is the responsibility of a professional. These details will guide the design professional in the use of Master Wall[®] Products. Master Wall disclaims design, warranty or construction intent or responsibility. **Bold = Master Wall[®] Product.**

©2018 Master Wall Inc.[®]

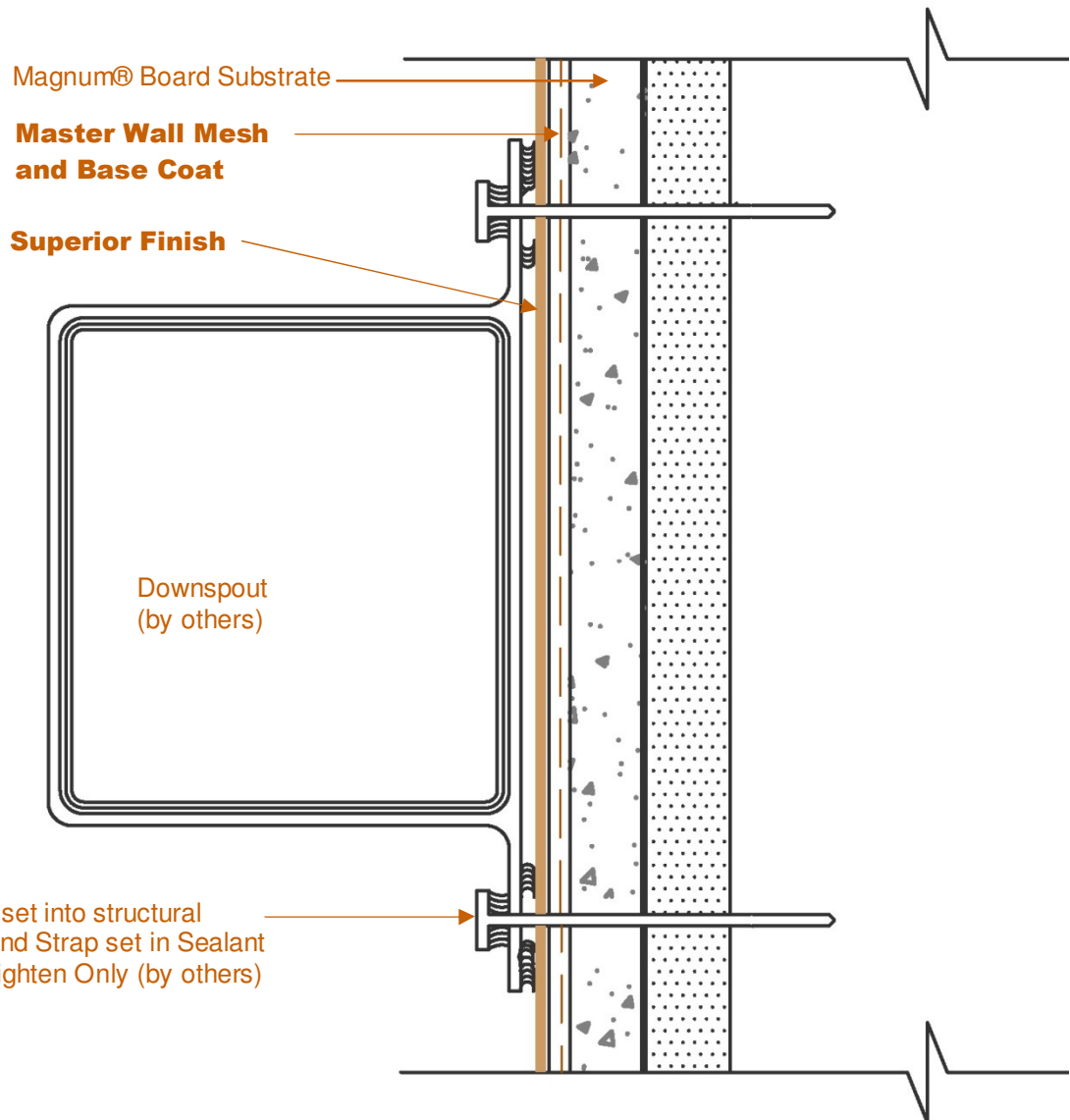


Master Wall Inc.[®]
Building a Culture of Excellence



We **finish** strong.

System Detail



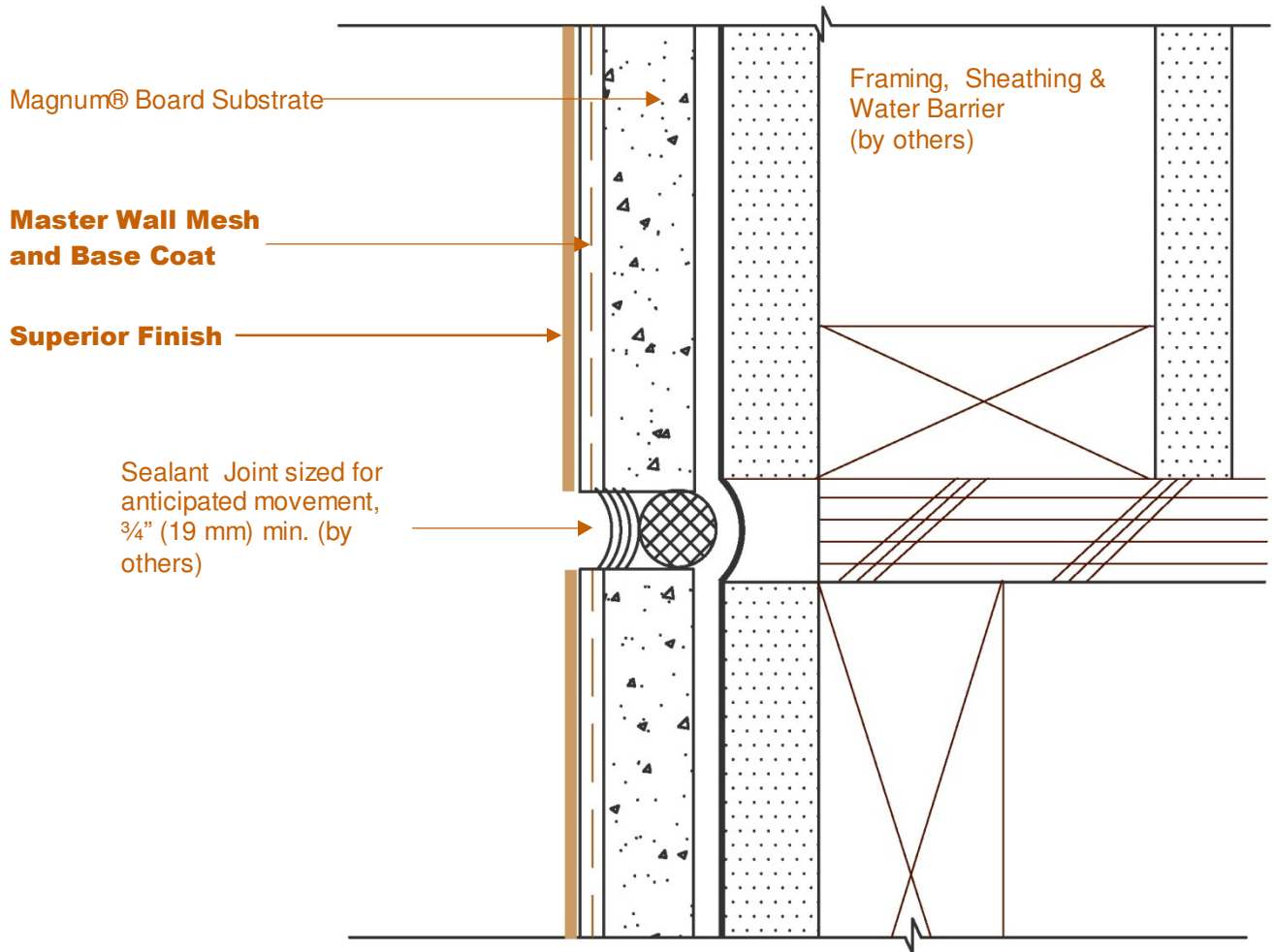
MG-09 Typical Downspout Attachment

These drawings relay the conceptual conditions of Master Wall® Systems and are not the construction drawings. Ultimately the design and detailing of an entire wall system is the responsibility of a professional. These details will guide the design professional in the use of Master Wall® Products. Master Wall disclaims design, warranty or construction intent or responsibility. **Bold = Master Wall® Product.**

©2018 Master Wall Inc.®



System Detail



MG-10 Typical Horizontal Expansion Joint at Floor Line – Wood Frame Construction

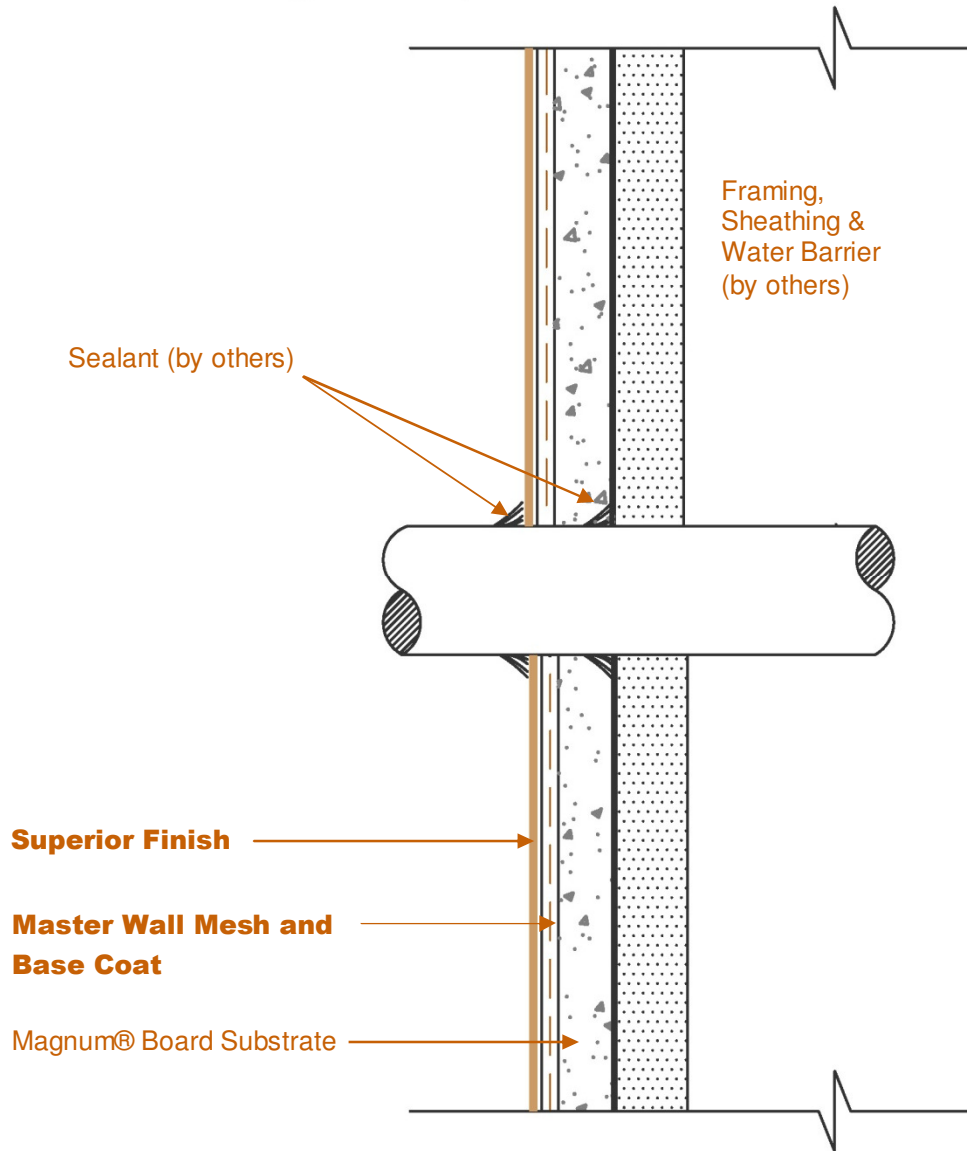
These drawings relay the conceptual conditions of Master Wall[®] Systems and are not the construction drawings. Ultimately the design and detailing of an entire wall system is the responsibility of a professional. These details will guide the design professional in the use of Master Wall[®] Products. Master Wall disclaims design, warranty or construction intent or responsibility. **Bold = Master Wall[®] Product.**



Master Wall Inc.[®]
Building a Culture of Excellence



System Detail



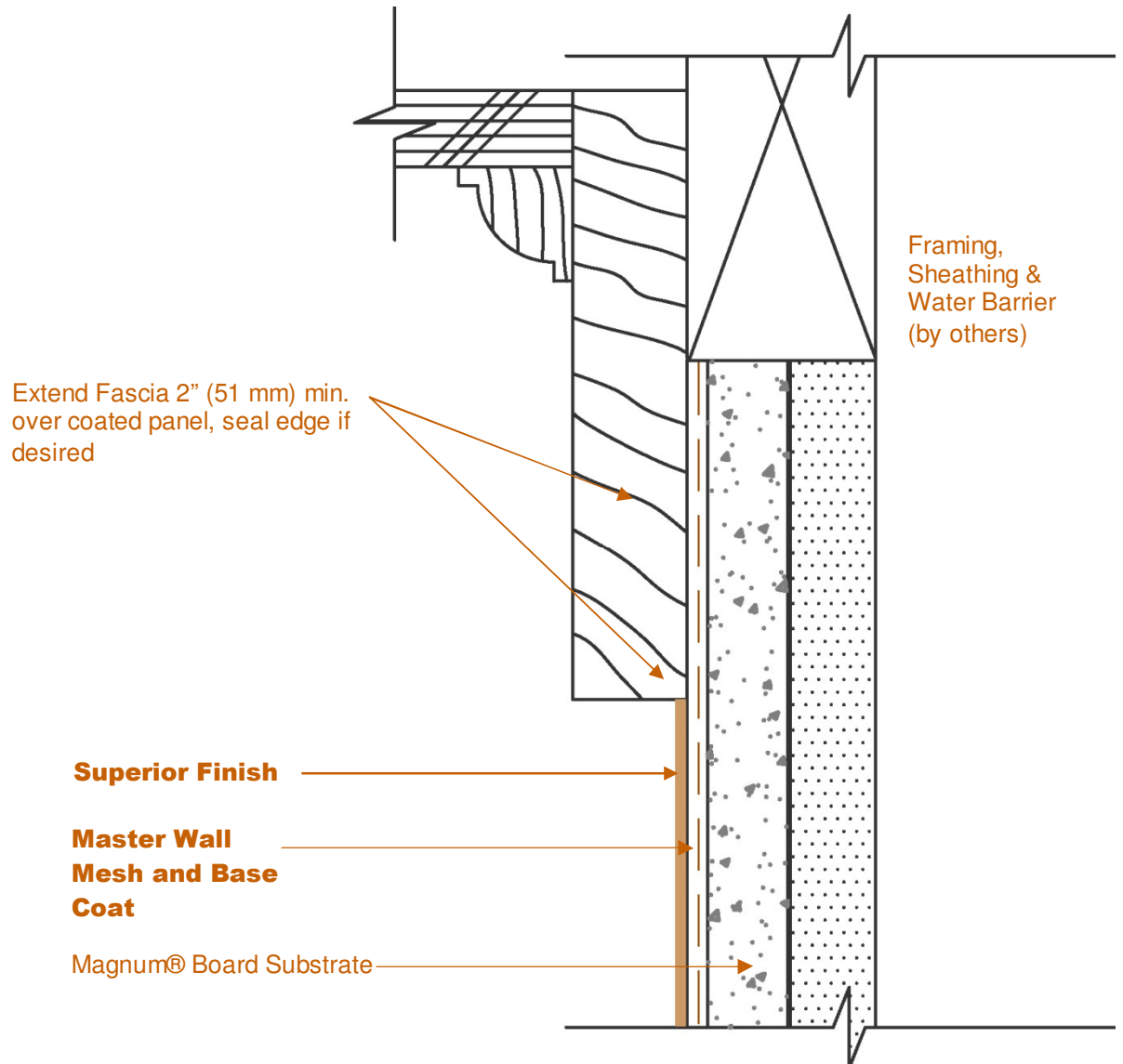
MG-11 Pipe Penetration Detail

These drawings relay the conceptual conditions of Master Wall[®] Systems and are not the construction drawings. Ultimately the design and detailing of an entire wall system is the responsibility of a professional. These details will guide the design professional in the use of Master Wall[®] Products. Master Wall disclaims design, warranty or construction intent or responsibility. **Bold = Master Wall[®] Product.**

©2018 Master Wall Inc.[®]



System Detail

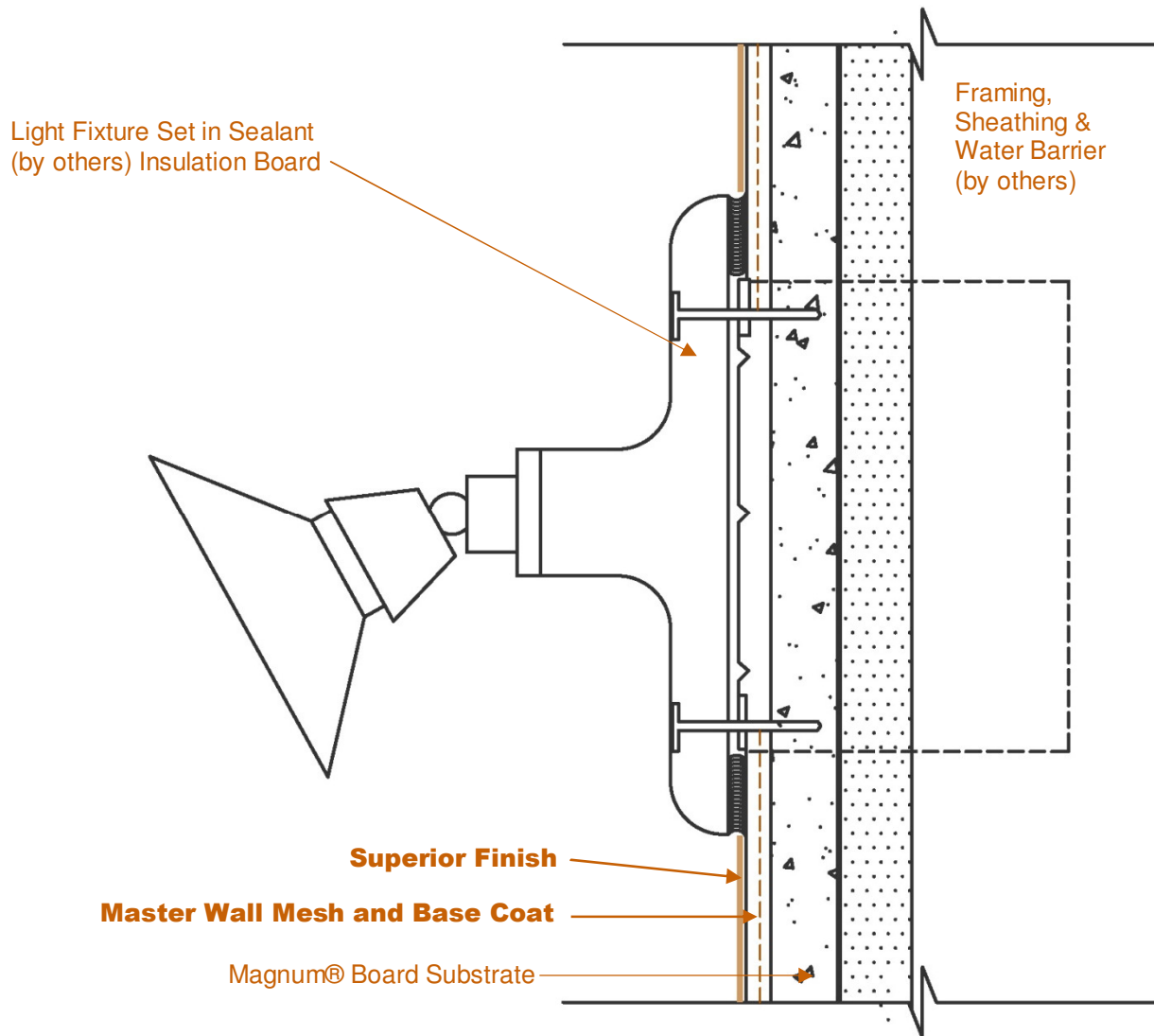


MG-12 Soffit/Gable Termination

These drawings relay the conceptual conditions of Master Wall[®] Systems and are not the construction drawings. Ultimately the design and detailing of an entire wall system is the responsibility of a professional. These details will guide the design professional in the use of Master Wall[®] Products. Master Wall disclaims design, warranty or construction intent or responsibility. **Bold = Master Wall[®] Product.**



System Detail

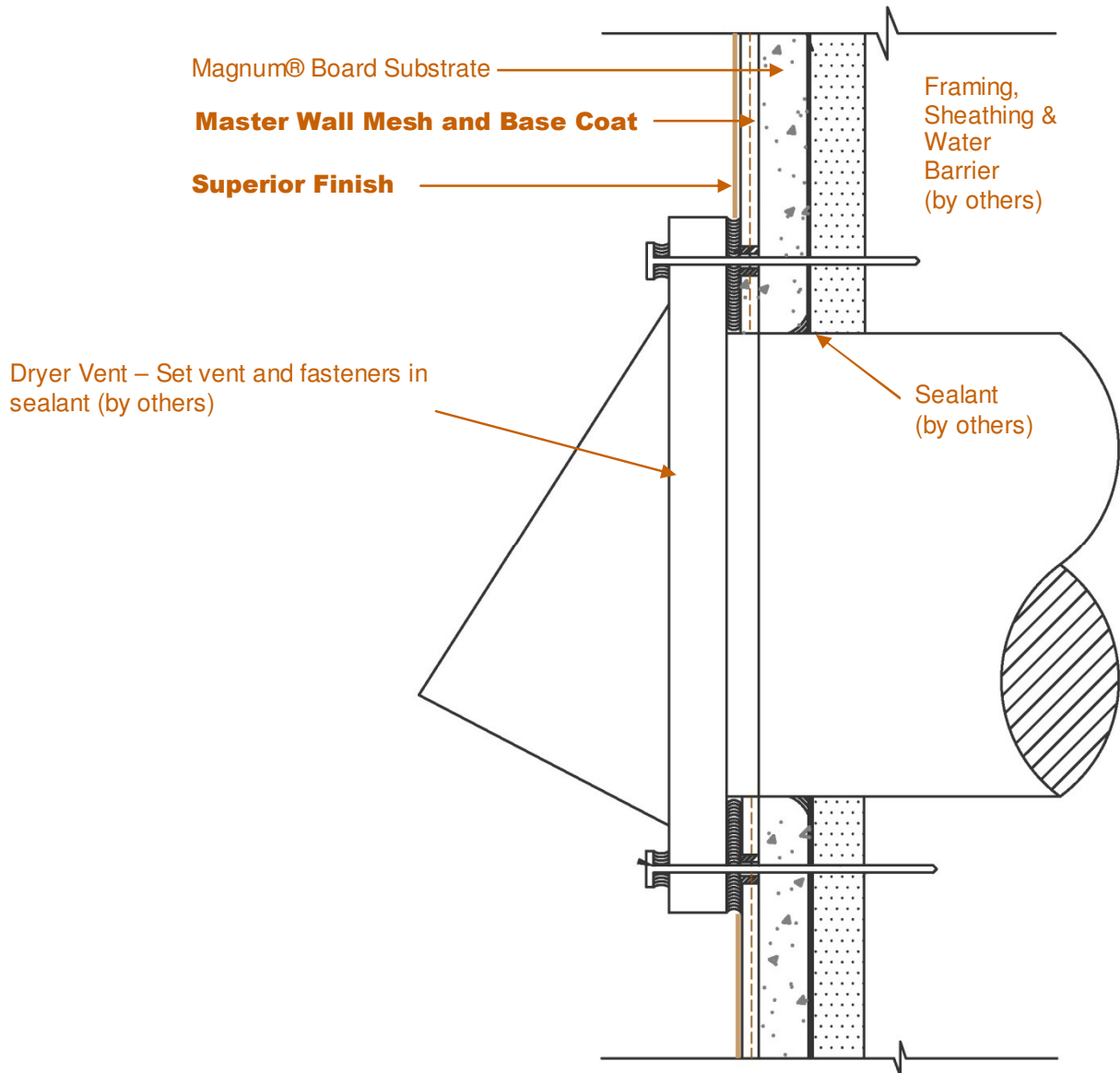


MG-13 Typical Light Fixture

These drawings relay the conceptual conditions of Master Wall[®] Systems and are not the construction drawings. Ultimately the design and detailing of an entire wall system is the responsibility of a professional. These details will guide the design professional in the use of Master Wall[®] Products. Master Wall disclaims design, warranty or construction intent or responsibility. **Bold = Master Wall[®] Product.**



System Detail



MG-14 Dryer Vent Detail

These drawings relay the conceptual conditions of Master Wall[®] Systems and are not the construction drawings. Ultimately the design and detailing of an entire wall system is the responsibility of a professional. These details will guide the design professional in the use of Master Wall[®] Products. Master Wall disclaims design, warranty or construction intent or responsibility. **Bold = Master Wall[®] Product.**

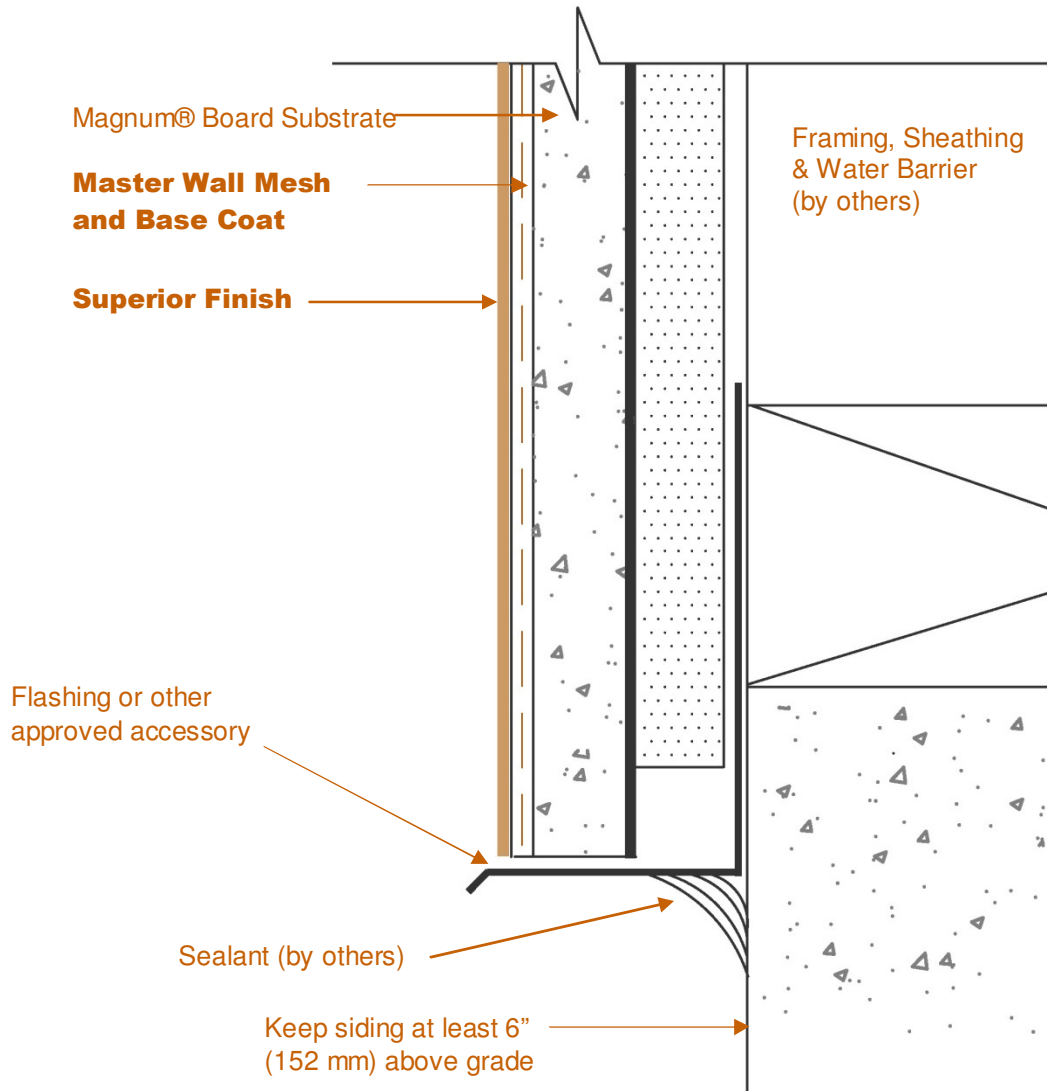


Master Wall Inc.
Building a Culture of Excellence



We finish strong.

System Detail



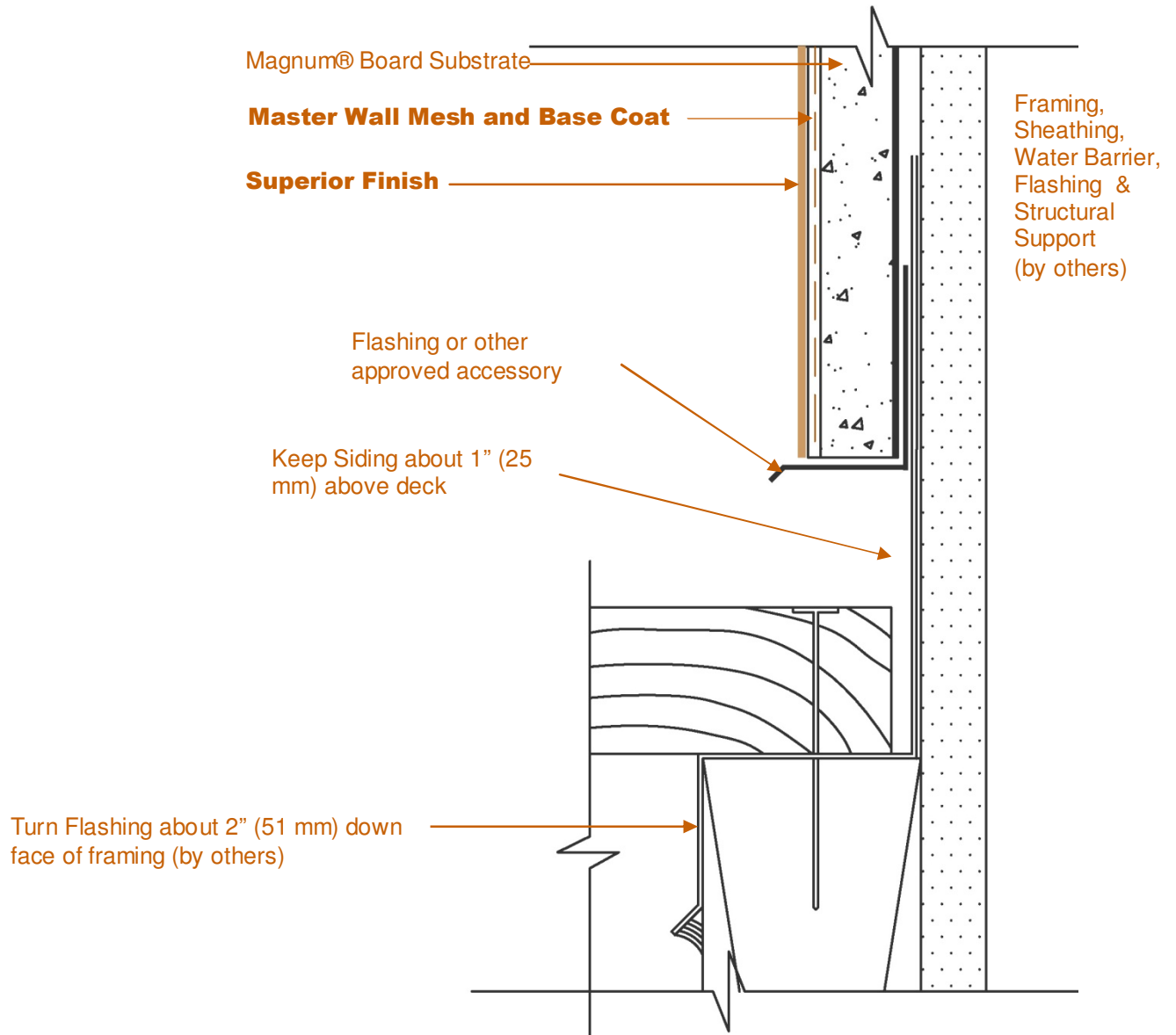
MG-15 Termination at Foundation Detail

These drawings relay the conceptual conditions of Master Wall® Systems and are not the construction drawings. Ultimately the design and detailing of an entire wall system is the responsibility of a professional. These details will guide the design professional in the use of Master Wall® Products. Master Wall disclaims design, warranty or construction intent or responsibility. **Bold = Master Wall® Product.**

©2018 Master Wall Inc.®



System Detail

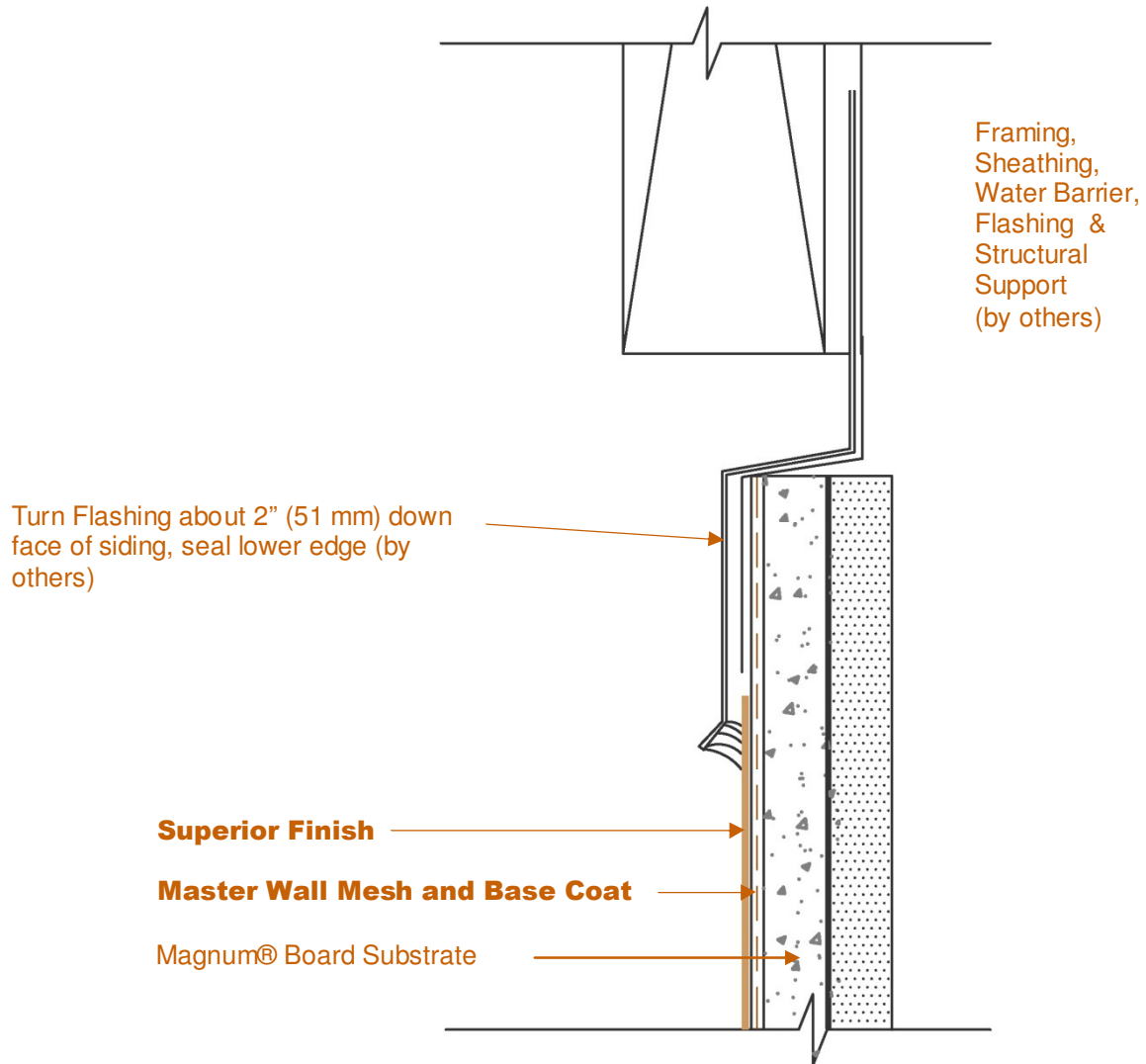


MG-16 Termination at Decking

These drawings relay the conceptual conditions of Master Wall[®] Systems and are not the construction drawings. Ultimately the design and detailing of an entire wall system is the responsibility of a professional. These details will guide the design professional in the use of Master Wall[®] Products. Master Wall disclaims design, warranty or construction intent or responsibility. **Bold = Master Wall[®] Product.**



System Detail



MG-17 Termination Under Deck

These drawings relay the conceptual conditions of Master Wall[®] Systems and are not the construction drawings. Ultimately the design and detailing of an entire wall system is the responsibility of a professional. These details will guide the design professional in the use of Master Wall[®] Products. Master Wall disclaims design, warranty or construction intent or responsibility. **Bold = Master Wall[®] Product.**

©2018 Master Wall Inc.[®]



System Detail

Coping Cap with continuous cleat and secondary water barrier (by others)

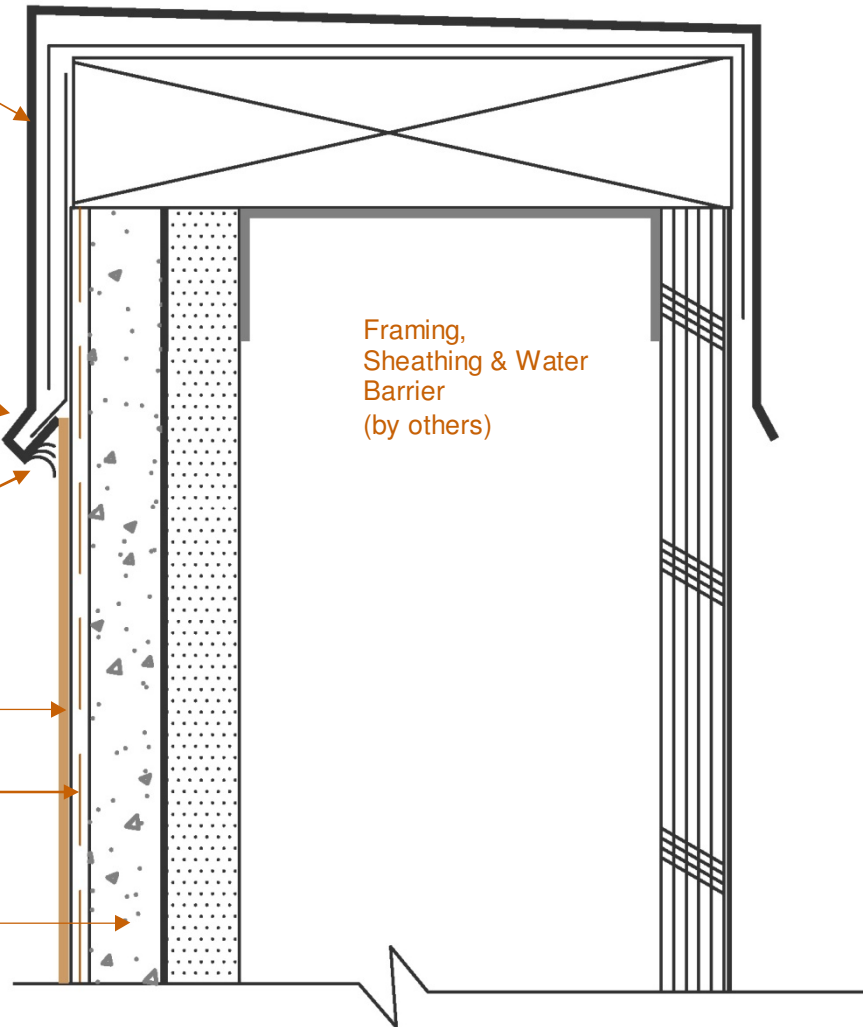
Extend Cap 2" (51 mm) min. over siding

Sealant (by others)

Superior Finish

Master Wall Mesh and Base Coat

Magnum[®] Board Substrate



Framing,
Sheathing & Water
Barrier
(by others)

MG-18 Cap Detail

These drawings relay the conceptual conditions of Master Wall[®] Systems and are not the construction drawings. Ultimately the design and detailing of an entire wall system is the responsibility of a professional. These details will guide the design professional in the use of Master Wall[®] Products. Master Wall disclaims design, warranty or construction intent or responsibility. **Bold = Master Wall[®] Product.**

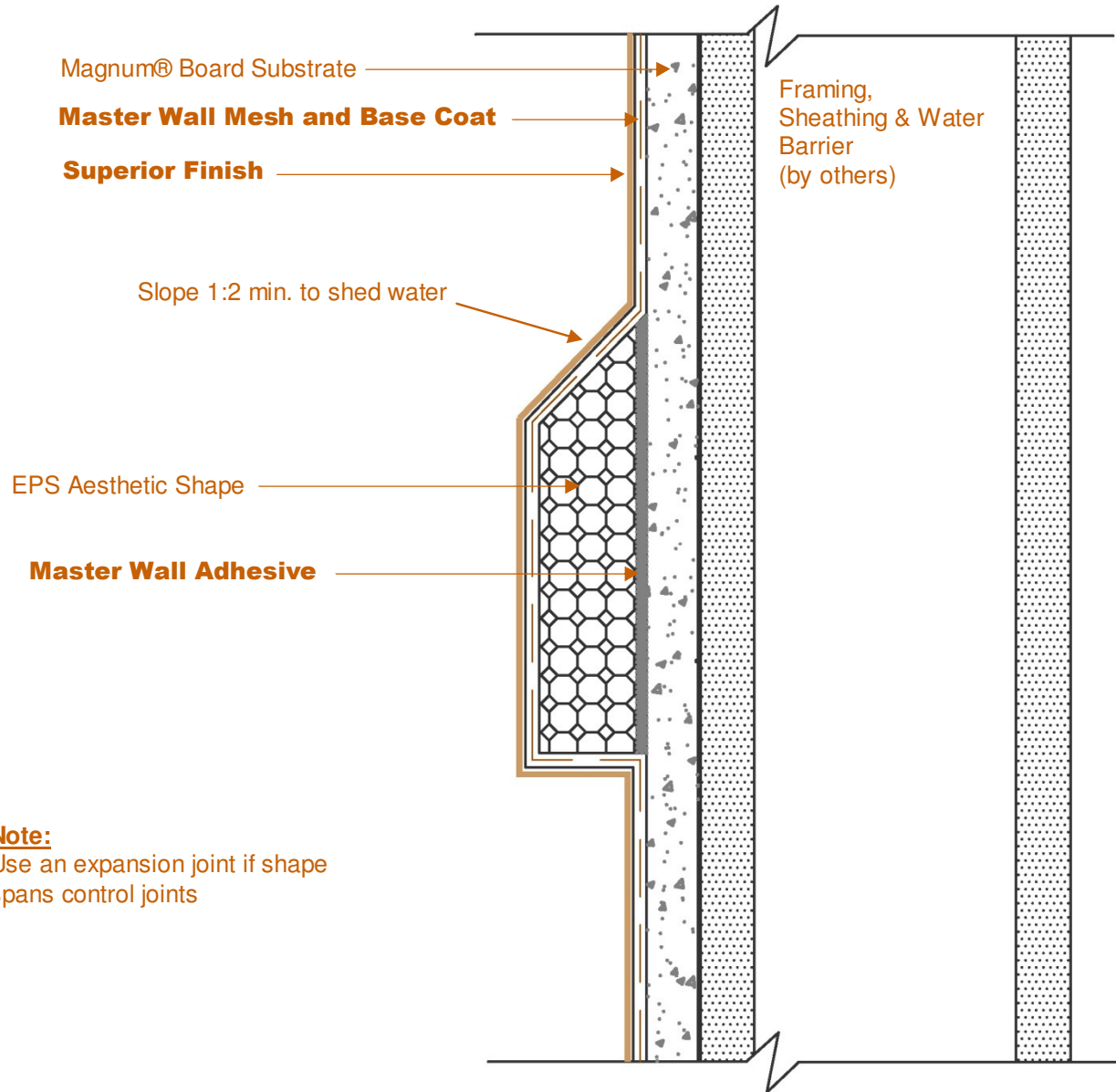
©2018 Master Wall Inc.[®]



Master Wall Inc.
Building a Culture of Excellence



System Detail



MG-19 EPS Shape Detail

These drawings relay the conceptual conditions of Master Wall® Systems and are not the construction drawings. Ultimately the design and detailing of an entire wall system is the responsibility of a professional. These details will guide the design professional in the use of Master Wall® Products. Master Wall disclaims design, warranty or construction intent or responsibility. **Bold = Master Wall® Product.**

©2018 Master Wall Inc.®



System Detail

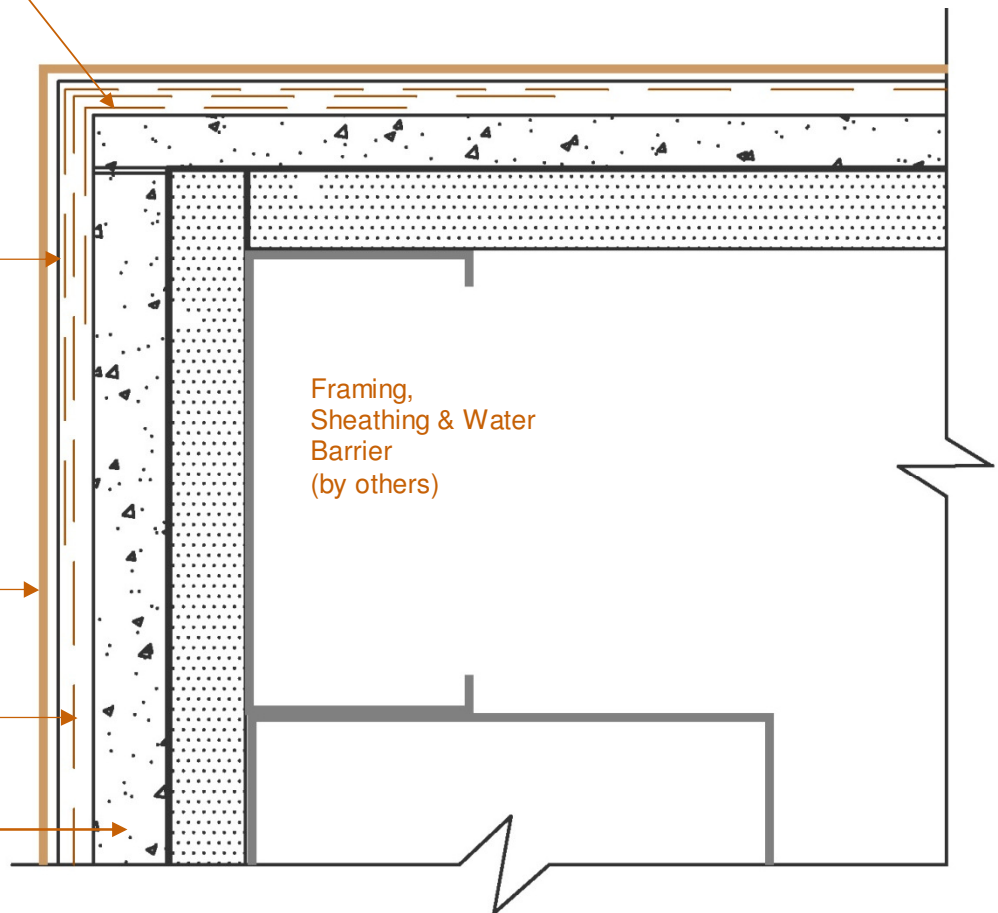
**Master Wall Cement Board
Mesh and Base Coat at
Corners**

**Lap Mesh 12"
(305 mm)
each side of
corner**

Superior Finish

**Master Wall
Mesh and Base
Coat**

**Magnum[®] Board
Substrate**

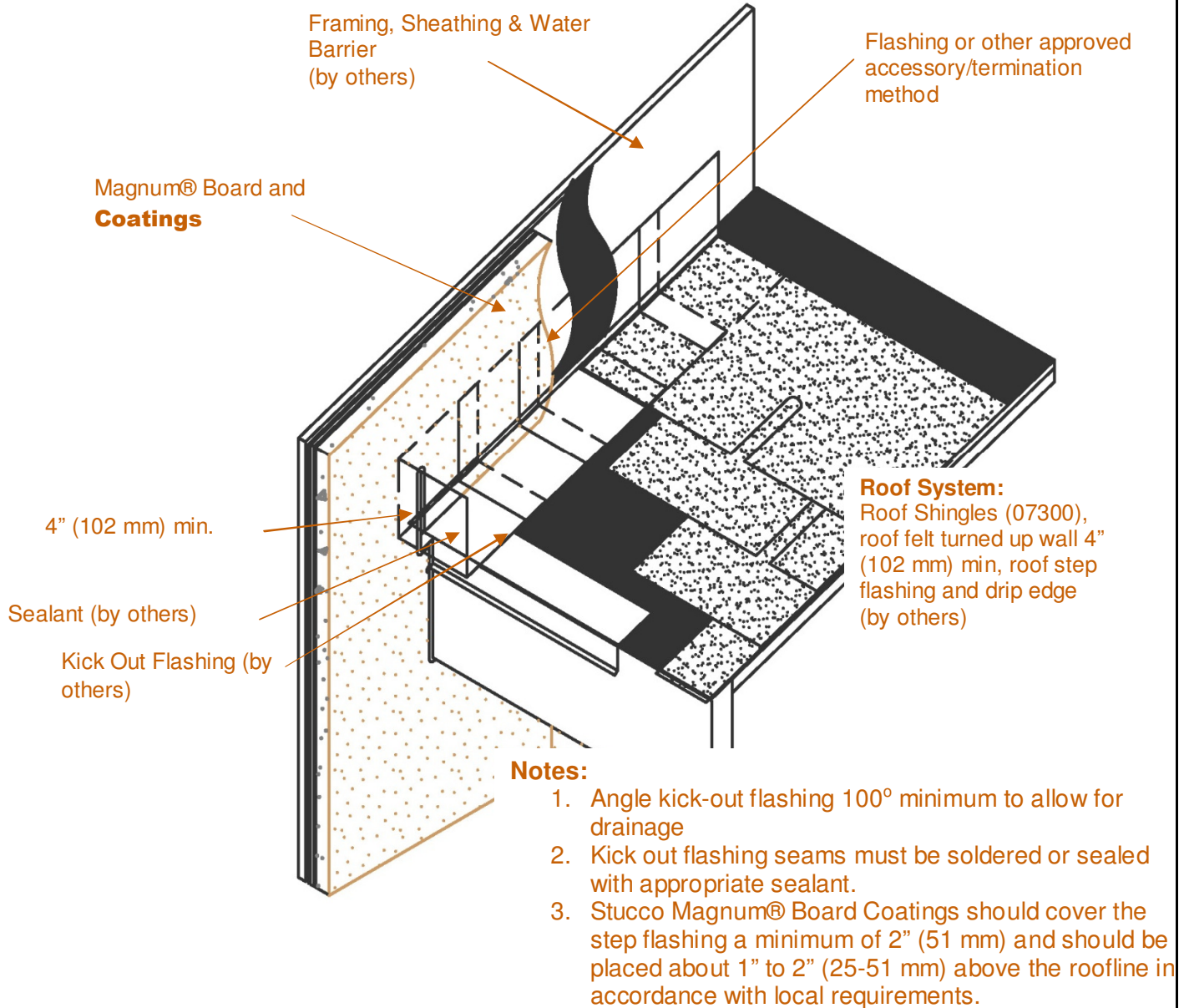


MG-20 Corner Detail

These drawings relay the conceptual conditions of Master Wall[®] Systems and are not the construction drawings. Ultimately the design and detailing of an entire wall system is the responsibility of a professional. These details will guide the design professional in the use of Master Wall[®] Products. Master Wall disclaims design, warranty or construction intent or responsibility. **Bold = Master Wall[®] Product.**



System Detail



MG-21 Typical Roof/Wall Intersection

These drawings relay the conceptual conditions of Master Wall[®] Systems and are not the construction drawings. Ultimately the design and detailing of an entire wall system is the responsibility of a professional. These details will guide the design professional in the use of Master Wall[®] Products. Master Wall disclaims design, warranty or construction intent or responsibility. **Bold = Master Wall[®] Product.**